

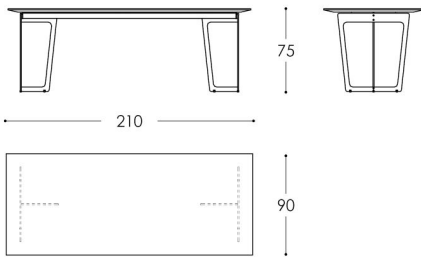
ARO



210x90 h 75 ARO.210

m³ Kg

Price



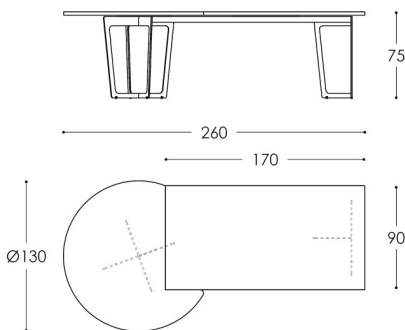
Rectangular top slightly overhanging legs structure.
Sharp beveled top on bottom surface lacquered in combination with legs.
Metal legs lacquered finish.

FINISHES:
Top in wood or micro-texturized lacquer finish.
Edge and bottom surface in micro-texturized lacquer.
Metal base in micro-texturized lacquer finish.

260x130 h 75 ARO.260

m³ Kg

Price



Rectangular desktop with round extension to maintain brief meetings.
Sharp beveled top on bottom surface lacquered in combination with legs.
Metal legs lacquered finish.

FINISHES:
Top in wood or micro-texturized lacquer finish.
Edge and bottom surface in micro-texturized lacquer.
Metal base in micro-texturized lacquer finish.